

Finishing Mill Unloaders

...Only from Eriez.

Permanent, Magnetic

Fast, efficient removal of parts from media in vibratory finishing mills

Eriez Finishing Mill Unloaders will increase productivity in your parts finishing operations by quickly and automatically removing ferrous parts from the media.

All three models use a powerful permanent magnet pickup, can be quickly and easily wheeled into position beside the mill, and are hydraulically lowered into position. As parts near the surface of the media they are pulled out by the magnetic field, conveyed up and away from the mill, and pass through a demagnetizing unit before reaching the discharge chute.

Another tough product available...
Only from Eriez.

FEATURES

- Permanent magnetic pickup
- Hydraulic adjustment
- Built-in demagnetizer
- Built-in starter
- Portable
- Three models



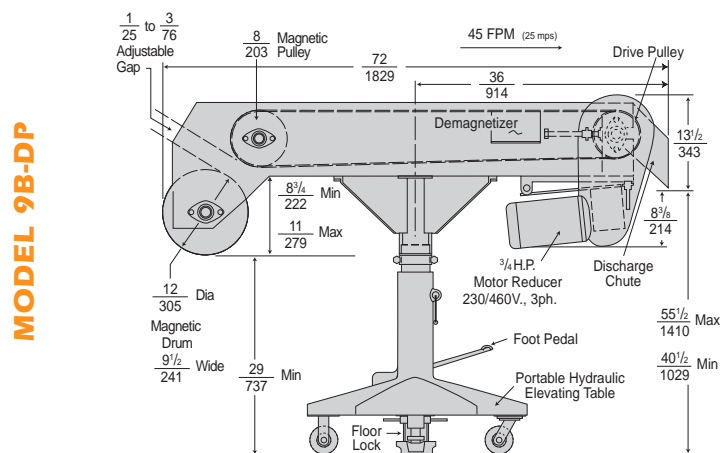
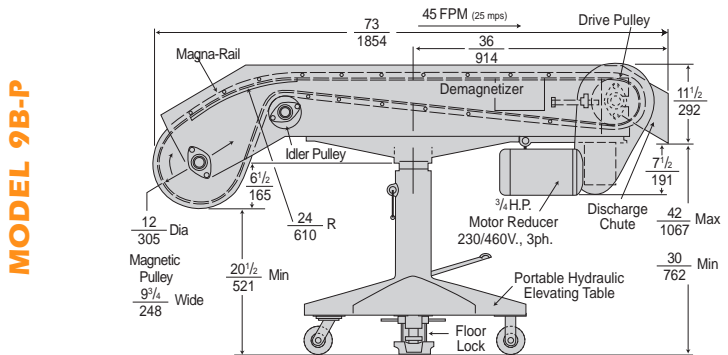
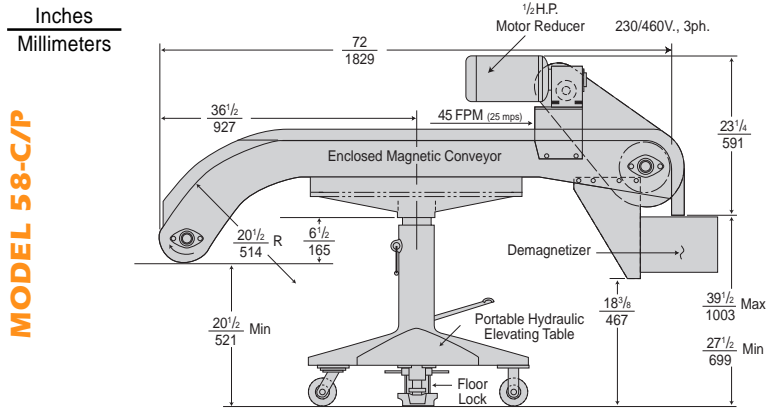
AUTOMATIC MILL UNLOADING

MODEL 58-C/P is a completely enclosed magnetic conveyor with permanent magnets mounted on an endless chain revolving beneath a stainless-steel slider plate. Designed for lightweight parts but continuous duty operation, the pickup area of the conveyor is positioned from 0" to 1" (25mm) above the finishing media.

MODEL 9B-P utilizes a cleated conveyor belt with a 12-inch diameter magnetic head pulley to pull out the parts. Magnetic rails above the pulley hold parts firmly to the belt until they reach the horizontal portion of the conveyor. This heavy duty unit can be positioned from 0" to 2" (50mm), depending upon part size, above the media.

MODEL 9B-DP is the most versatile of Eriez' Finishing Mill Unloaders and can normally remove all parts from a 10 to 20 cubic foot mill in not more than five minutes. A 12-inch (305 mm) diameter magnetic drum can be positioned anywhere from 2" (50mm) beneath to 2" (50mm) above the surface of the media, depending upon part size. As parts are pulled out of the media and carried to the top of the drum, they jump across an adjustable 1" (25mm) to 3" (75mm) gap to an 8-inch (203mm) diameter head pulley revolving with a horizontal conveyor belt. Any trapped media falls back into the mill as the parts move through the demagnetizer to discharge.

All Eriez Finishing Mill Unloaders are of heavy-duty construction and the strength of the magnetic elements is warranted for life.



Dimensions and specifications are subject to change without notice.

